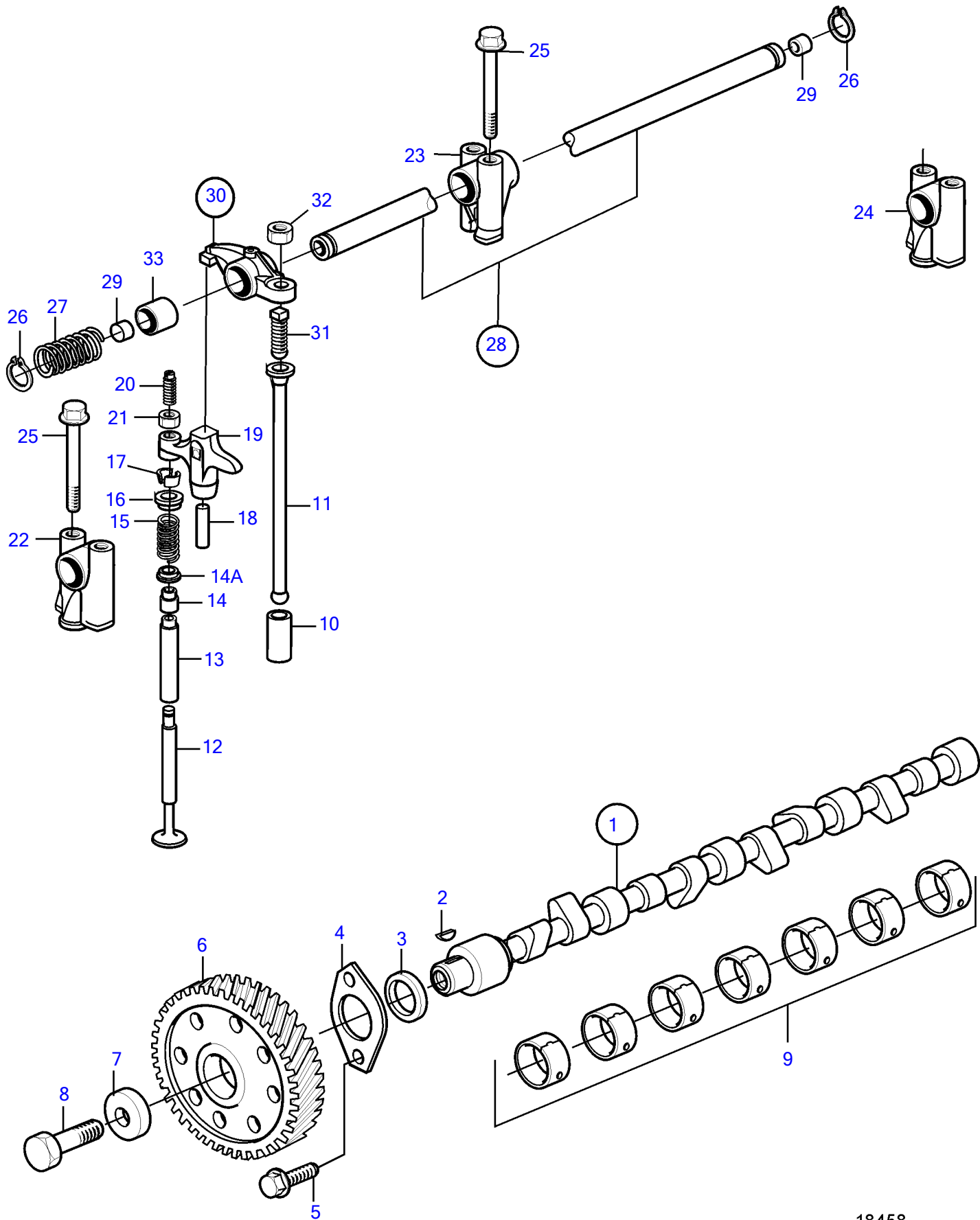


, KAMD300-A



, KAMD300-A

REF	PART NO.	QTY	DESCRIPTION	SEE SEC.	NOTES
1	3817142	1	Camshaft		(860678)
2	910116	1	• Woodruff key		
3	1542221	1	• Spacer washer		
4	838992	1	Thrust washer		
5	946440	2	Flange screw		
6	1542034	1	Gear		
7	1542223	1	Washer		
8	965193	1	Flange screw		
9		7	Bushing	4879	
10	1542208	12	Valve tappet		
11	861689	12	Push rod		
12	861698	12	Inlet valve, intake		
	861699	12	Exhaust valve, exhaust		
13		24	Valve guide	4876	
14	877072	24	Valve stem seal		Including 4 pcs valve stem seal.
14A	3581957	24	Valve spring washer		
15	861701	24	Valve spring		
16	3581920	24	Valve spring washer		
17	861703	48	Valve cotter		
18	861714	12	Locating pin		
19	3583821	12	Valve yoke		
20	(861716)	12	• Adjusting screw		Obsolete part
21	951199	12	• Hexagon nut		
22	861705	1	Bearing bracket, front		
23	861704	5	Bearing bracket		
24	861706	1	Bearing bracket, rear		
25	965182	14	Flange screw		
26	914456	2	Snap ring		
27	418426	6	Compression spring		
28	861707	1	Rocker arm shaft		
29	955083	2	• Cap plug		
30	3581022	6	Rocker arm, intake		
	3581023	6	Rocker arm, exhaust		
31	3581121	12	• Ball stud		
32	921781	12	• Hexagon nut		
33	418297	12	• Bushing		

7738870-21-2983B

18458

Upd:2012-02-13